

M/S

Automatic moulding machines for meat balls and hamburgers



HOW TO PRODUCE 2200 MEAT BALLS PER HOUR

A fast and economical way of producing hamburgers or meat balls which avoids waste and ensures the right quantity. We have designed two machines to do the job, both are capable of:

- Preparing equally shaped pieces with same texture.
- Producing pieces equal to the desired weight.
- Ensuring that each piece will be well presented.
- Achieving maximum results and a substantial saving in labour costs.

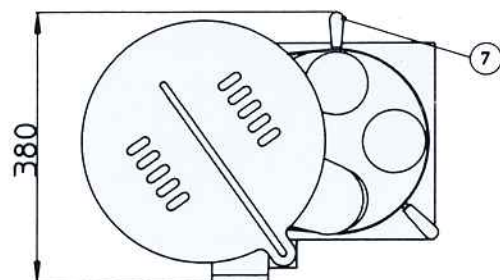
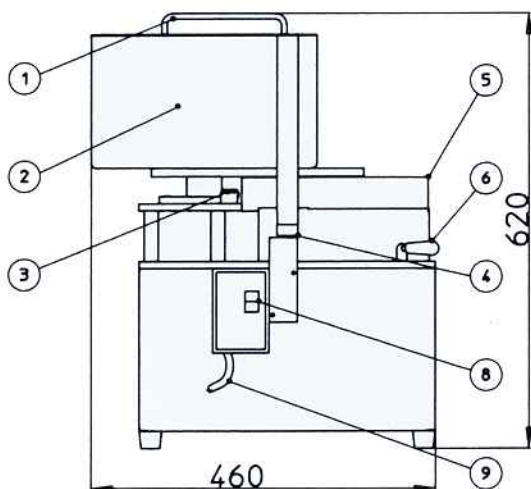
- Assuring a maximum standard of hygiene, through eliminating manual operations. The desired thickness of each piece is easily obtained by adjusting the shaping discs, up to a maximum of 22 mm.

Both machines are completely automatic and fast, reaching an output of 2200 pieces per hour. Time saved can be more usefully spent on other more important operations.

Nilma
LA SCIENZA DELLE GRANDI CUCINE

MS

Automatic moulding machines for meat balls and hamburger



KEY

- 1) Cover
- 2) Loading bowl
- 3) Locking device of loading bowl
- 4) Safety microswitch
- 5) Shaping disc
- 6) Locking device of thickness adjuster
- 7) Thickness adjusting device
- 8) On/off push button
- 9) Electric connection

FEATURES

DESIGN FEATURES

Casing made of 18/10 stainless steel, satin-finished. Loading bowl made of food stainless special alloy.

Product thickness adjusting by a lever (for MS/2 model), by a key (for MS/3). The product thickness may be easily varied from a desired minimum value to a maximum of 22 mm.

Mixing blades, loading bowl and shaping disc are manually removable for cleaning operations. Safety device on the loading bowl cover.

TECHNICAL FEATURES

	MS/2	MS/3
Electric connection:	230/400V 3ph 50Hz +E	
Installed power:	0.37 kW	0.25 kW
Loading bowl capacity:	11 ltrs.	11 ltrs.
Net weight:	42 kgs.	35 kgs.
Shaping disc Ø 90 mm:	4 seats	3 seats
Adjustable weight:	from 60 to 140 grs.	from 60 to 140 grs.
Maximum product thickness:	22 mm	22 mm
Production (pieces/h):	1200	900
Shaping disc Ø 40 mm (optional)	8 seats	8 seats
Adjustable weight:	da 10 a 30 grs.	da 10 a 30 grs.
Maximum product thickness:	22 mm	22 mm
Production (pieces/h):	2200	2200

ACCESSORIES (OPTIONAL)

Shaping disc with 8 seats Ø 40 mm. (for both MS/2 and MS/3 models).



This pamphlet may not be reproduced either in full or in part - May 2004



DESIGNED AND MANUFACTURED
TO CE STANDARD



Nilma

LA SCIENZA DELLE GRANDI CUCINE