

# SPEEDY CUTTERS DS/4 e DS/5

## Universal food processors



### THE UNIVERSAL FOOD PROCESSORS FOR THE LARGE REQUIREMENTS

The DS/4 and DS/5 food processors belong to the SPEEDY CUTTER range and have been specially designed to meet the large requirements of the food industry sector. The bowl size and the big cutting blades allow the mincing, grating, beating up and homogenizing of large quantities of product: 90 litres for DS/4 and 120 litres for DS/5. When designing the DS processors, as well as the large production

capacity, NILMA also took into account other important factors, such as: the safety of operation, the hygiene and the quick processing speed, ensuring the greatest time and labour savings.

The DS/4 and DS/5 models are another solution offered by NILMA to the requirements of high productivity.

# **Nilma**

LA SCIENZA DELLE GRANDI CUCINE

## THE FEATURES

### DESIGN FEATURES

Holding frame made of 18/10 stainless steel, equipped with adjustable antivibration rubber feet.

Bowl made of shot-peened 18/10 stainless steel, equipped with manual tilting device for the DS/4 and with automatic tilting system, by means of a geared motor, for the DS/5.

Lid, hinged on right hand side, provided with seal, handle, hole for the introduction of ingredients during the processing and safety device.

Knife unit on removable support consisting of two crescent shaped serrated blades, made of treated stainless steel.

### SPECIFICATIONS

Wall-mounted water-tight power board, equipped with protection against motor overheating and starting adjuster.

Low voltage 24 V control board, made up of: ON/OFF push button, power indicator, high/low speed selectors with warning light.

In the DS/5 man-contact push button to activate the tilting mechanism, through an UP/DOWN selector.

Safety devices to prevent machine from starting up with lid open or if the bowl is not in the correct position.

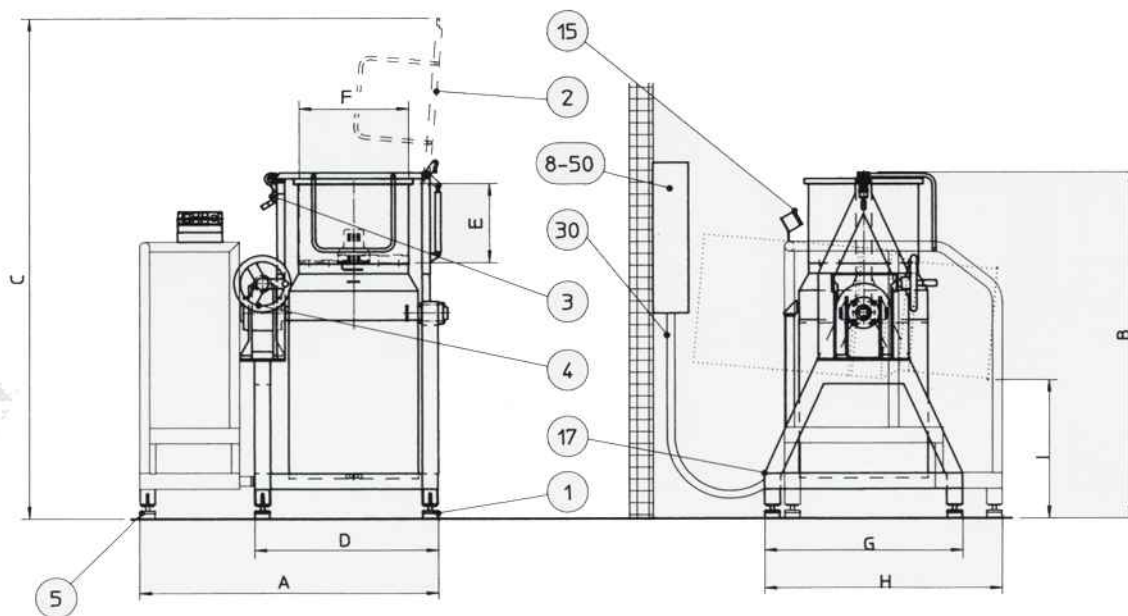
Three-phase 400 V motor, non-commutable, with high power and double speed, protected externally by a stainless steel case.

### TECHNICAL DATA

		DS/4	DS/5
Max. bowl capacity:	l	90	120
Processing speed:	r.p.m.	1420/2830	1465/2920
Power connection:	V	400.3.50+E	400.3.50+E
Max. installed power:	kW	20,6	28
Weight of the machine:	kgs	600	750

### DIMENSIONS

		DS/4	DS/5
A	mm	1500	1500
B	mm	1750	1785
C	mm	2550	2570
D	mm	925	925
E	mm	400	425
F $\phi$	mm	550	600
G	mm	1000	1000
H	mm	1200	1200
I	mm	700	675



Key: 1) Feet 2) Lid 3) Locking device (for DS/4) 4) Tilting mechanism 5) Platform 8) Wall-mounted power board 15) Control board 17) Equipotential terminal 30) Power connection.



# Nilma

LA SCIENZA DELLE GRANDI CUCINE

NILMA SpA - Via E. Zaccani 24/A - 43100 Parma - Tel. +39 0521 785241 - Fax +39 0521 273050 - E-mail: export@nilma.it - Home Page: www.nilma.it  
 Manufactured by NILMA s.p.a. - Italy - The factory reserves the right to make all the necessary alterations and technical improvements without notice