

# TURBOIDREX

Fruit and vegetable washing machine with spin dryer



## FAST AND ECONOMICAL

Designed for restaurants, hotels and small canteens, TURBOIDREX offers a system for washing and drying fruits and vegetables, which is economical and convenient from every point of view. The same technological principles of Atir series – the washing system based on an adjustable whirlpool of constantly clean water – let TURBOIDREX have a very high operating speed.

In fact, the machine completes its cycle in less than five minutes, both as regards washing and drying.

The whirlpool intensity can be adjusted, according to the product delicacy.

Thoroughness of treatment and hygienic safety standards are common to both the operating pha-

ses: in this way, even the most delicate leaves retain their original freshness.

The spin dryer gets rid of all the water used for washing.

The result is not only a perfectly dry product, but also an appreciable saving in dressings.

TURBOIDREX takes up very little room – the cover can be used even as a working surface – and is very easy to operate.

Moreover, being fully automatic, TURBOIDREX allows great savings in labour and energy costs.

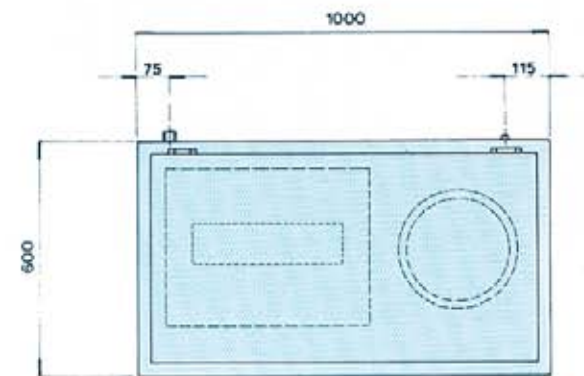
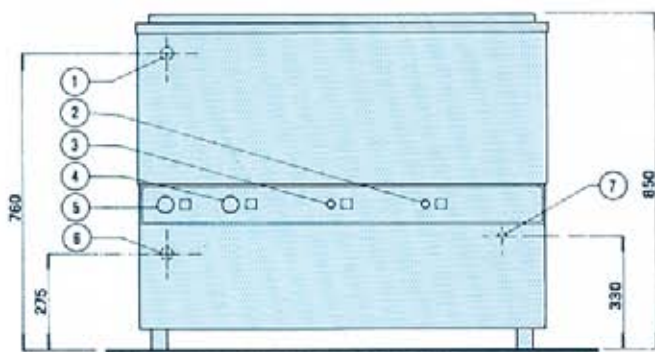
Lastly, TURBOIDREX is also available without spin dryer, in the TURBOVER version.

**Wilma**  
LA SCIENZA DELLE GRANDI CUCINE



# TURBOIDREX

Fruit and vegetable washing machine with spin dryer



## KEY

- 1) Cold water connection;
- 2) On/off push button for drying;
- 3) On/off push button for washing;
- 4) Washing adjusting knob;
- 5) Discharge adjusting knob;
- 6) Drain;
- 7) Electrical connection

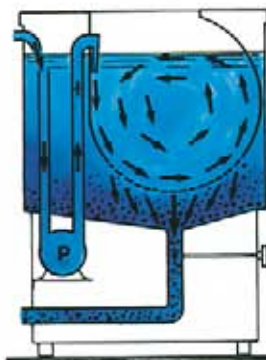


DESIGNED AND MANUFACTURED  
TO CE STANDARD



## FEATURES

### DESIGN FEATURES



TURBOIDREX exclusive washing system consists of a washing drum, perforated on the sides and on the bottom, and an outer basin, where the pump intake is placed near the main water inlet.

In this way the water is always clean, with the greatest guarantees of hygiene and without filters requiring cleaning.

- Outer panels, cover and top rim made of satin-finished 18/10 stainless steel.
- Washing drum made of bright stainless steel, perforated on the sides and on the bottom.
- Supporting feet adjustable in height.
- Washing flow distributor, made of 18/10 stainless steel, removable by hand to allow the outer basin to be cleaned.
- Motor-driven pump, spin dryer motor and other working members, placed and protected inside the machine and accessible from the front panel.
- Washing motor-driven pump with ventilated motor provided with protection against overheating.

### SPECIFICATIONS

- Washing whirlpool adjustable according to the product delicacy.
- Spin dryer, fitted with a transparent plastic lid with a safety microswitch, a removable plastic basket and a self-braking motor with protection against overheating.
- Control panel equipped with: washing on/off push button, drying on/off push buttons, washing adjusting knob, discharge adjusting knob.
- Total electrical absorption: 1 kW-V230.1.50+E
- Basket rotation speed: 750 rpm.
- Water inlet:  $\phi$  3/4"
- Main drain:  $\phi$  1" 1/4
- Drum capacity: 85 litres
- Weight: 135 kg
- Washing capacity: leaf vegetables: 4 kgs; heavy vegetables, fruits, chickens, fish: 15 kgs.
- Washing time: 2-3 min.
- Drying capacity: about 1 kg
- Drying time: about 1 min.

### DIMENSIONS

- Width: 1000 mm
- Length: 600 mm
- Height: 910 mm

# Nilma

LA SCIENZA DELLE GRANDI CUCINE